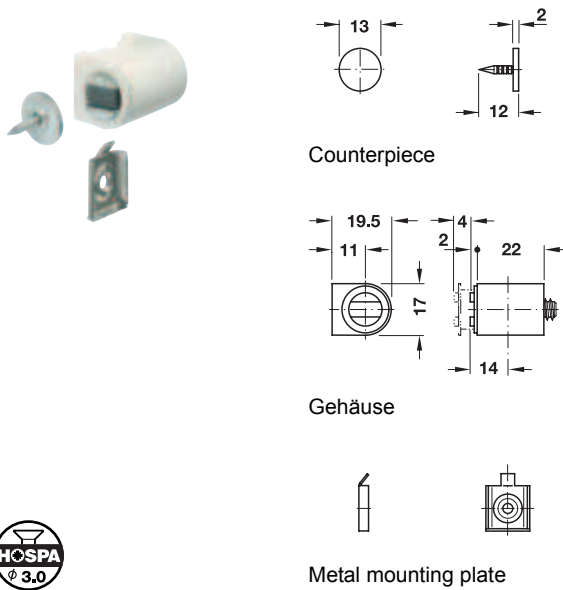
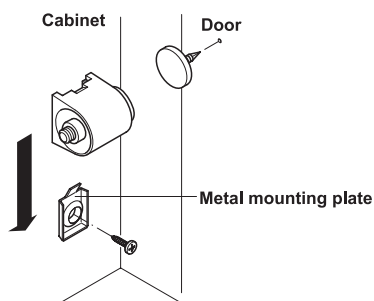


→ Pull 3.0 – 4.0 kg,  
for screw fixing with mounting plate



- Material: Housing: Plastic, counterpiece: Steel
- Version: Rigid housing, movable counterpiece
- Adjustment facility: Magnet insert can be adjusted by approx. +4 mm by turning
- Installation: Housing for screw fixing with mounting plate, counterpiece for knocking in

Installation



Slide housing on metal mounting plate

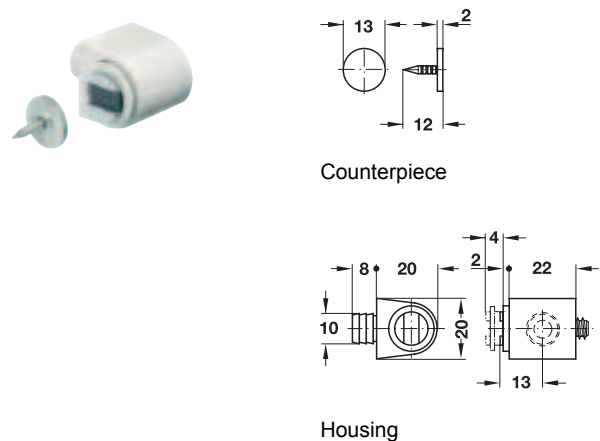
Supplied with

- 1 Housing
- 1 Counterpiece
- 1 Metal mounting plate

Colour	Cat. No.
Housing: White	246.13.720
Housing: Brown	246.13.120
Housing: Silver coloured	246.13.920

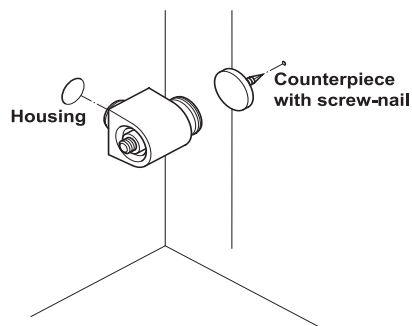
Packing: 50 pieces

→ Pull 3.0 – 4.0 kg,  
for press fitting



- Material: Housing: Plastic, counterpiece: Steel
- Version: Rigid housing, movable counterpiece
- Adjustment facility: Magnet insert can be adjusted by approx. +4 mm by turning
- Installation: Housing for press fitting, counterpiece for knocking in

Installation



Colour	Cat. No.
Housing: White	246.08.704
Housing: Brown	246.08.106
Housing: Silver coloured	246.08.900

Packing: 50 pieces